

C Fast

SATA6.0Gbps
HFD10S-GD / XFD10S-GD / LFD10S-GD Series



VPG functionality enable stable recording even on 4K compatible video equipment.

Product features

● Fast random access

With our unique page mapping method, it achieves faster random access while enhancing reliability.

● High-Speed Data Accessibility

We have successfully realized enhancement 100 times as high as before on random write performance based on our unique cash algorithm while securing reliability.

● Supported SMART monitoring tool.

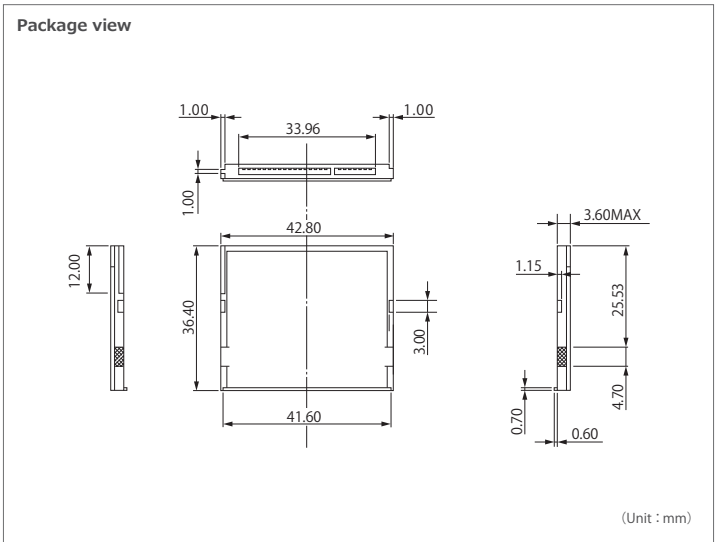
We can offer complement SMART monitoring tool called "Livemonitor". It also allows to check internal condition with access analysis.

● Prolonged Lifetime

The reduced access frequency of the NAND flash prolongs the service life with page mapping and 4K alignment processing.

● Power Shutoff Durability

Device damage is prevented by the unique recovery function for any instantaneous power outages or a sudden power shutdown.



	Static wear leveling	Refresh Function	Read retry Function	Power loss guard Function	Off line scan	Fixed specifications	RoHS	FDE (Encryption)	Wide temperature	Environmental Documents	LiveMonitor
SLC	●	●	●	●	●	●	○	○	●	-	●
Q-MLC	●	●	●	●	●	●	○	○	●	-	●
MLC	●	●	●	●	●	●	○	○	●	-	●

■ Static wear leveling ■ Refresh Function ■ Read retry Function ▲ Power loss guard Function ● Off line scan ▲ Fixed specifications RoHS compatibility FDE (Encryption) ● Implementation ○ Option
 TCG Opal2.0 Lifetime Notification Function Lifetime Notification LED DevSleep Function Power Shut Off Durability Wide temperature Environmental Documents LiveMonitor



Product Specifications

Flash Type		SLC	Q-MLC	MLC
Capacity		7GB~60GB	15GB~120GB	30GB~240GB
interface		SATA 6.0Gbps		
Power SUPPLY Voltage		3.3V±5%		
Operating temperature	Standard	0°C~70°C		
	Wide temperature	-40°C~85°C	-25°C~85°C	
Storage temperature		-45°C~90°C		
Operating Humidity		~85% (non condensing)		
Storage Humidity		~95% (non condensing)		
Dimensions (mm)		42.8 × 36.4 × 3.6		
DRAM Cache		●	●	●
Performance	Sequential read (MB/s)	480	460	430
	Sequential write (MB/s)	350	410	320
	Random read (IOPS)	45,000	47,000	44,000
	Random write (IOPS)	50,000	61,000	62,000
TBW(TB) ※1	7GB	260	-	-
	15GB	530	91	-
	30GB	1000	180	18
	60GB	2100	360	36
	120GB	-	730	73
	240GB	-	-	150
Current consumption (mA)	Read (Max)	450	350	350
	Write (Max)	580	450	680
	Idle mode (typ.)	110	110	30
	DevSleep mode (typ.)		3	
Warranty period		1year		

※1 Total Byte Written (TBW) is calculated as write load conditions on the basis of "JEDEC 219 Client (Solid-State drive Requir

Product lineup

		7GB	15GB	30GB	60GB	120GB	240GB
SLC	0~70°C	HFD10S-007GD (A**AE)	HFD10S-015GD (A**AE)	HFD10S-030GD (A**AE)	HFD10S-060GD (A**AE)	-	-
	-45~85°C	HFD10S-007GD (A**AEI)	HFD10S-015GD (A**AEI)	HFD10S-030GD (A**AEI)	HFD10S-060GD (A**AEI)	-	-
Q-MLC	0~70°C	-	XFD10S-015GD (A**AH)	XFD10S-030GD (A**AH)	XFD10S-060GD (A**AH)	XFD10S-120GD (A**AH)	-
	-25~85°C	-	XFD10S-015GD (A**AHS)	XFD10S-030GD (A**AHS)	XFD10S-060GD (A**AHS)	XFD10S-120GD (A**AHS)	-
MLC	0~70°C	-	-	LFD10S-030GD (A**AH)	LFD10S-060GD (A**AH)	LFD10S-120GD (A**AH)	LFD10S-240GD (A**AH)
	-25~85°C	-	-	LFD10S-030GD (A**AHS)	LFD10S-060GD (A**AHS)	LFD10S-120GD (A**AHS)	LFD10S-240GD (A**AHS)

* management number

HAGIWARA Solutions

Hagiwara Solutions Co., Ltd.

Nagoya
Headquarters
8F Pacific square NagoyaNishiki, 2-5-12Nishiki,
Nakaku, Nagoya city, Aichi 460-0003, Japan
TEL.+81-52-223-1301
FAX.+81-52-223-1303

Tokyo
Branch
Office
7F NK-Shinwa building, 5-1 Kojimachi,
Chiyoda-ku, Tokyo 102-0081, Japan
TEL.+81-3-3556-5016
FAX.+81-3-3556-5018

Osaka
Branch
Office
8F Meiji Yasuda Life Insurance Company Osaka Midosuji building,
4-1-1 Fushimi-tyo, Chuo-ku, Osaka city, Osaka 541-0044, Japan
TEL.+81-6-6223-5011
FAX.+81-6-6223-5012

Fukuoka
Sales
Office
4F Higashihie square building, 3-12-16 Higashihie,
Hakata-ku, Fukuoka city, Fukuoka 812-0007, Japan
TEL.+81-92-477-8207
FAX.+81-92-477-8208

<http://www.hagisol.com>

Inquiries

hsolsupport@hagisol.co.jp

- The company names and product names noted herein are trademarks or registered trademarks.
- The content of this catalog is subject to change without notice due to development and other factors.
- Hagiwara Solutions is not responsible for any loss or damage that may be incurred based to the content of this catalog.